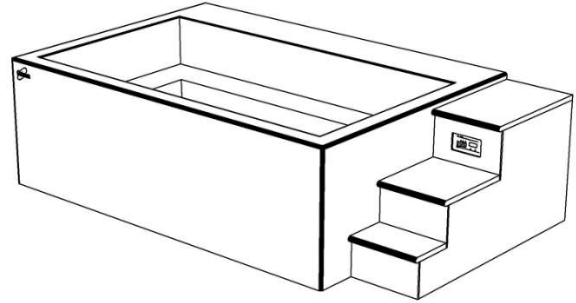


Model 4910 Cold-Tank Hydrotherapy Console

A versatile and efficient hydrotherapy system for treating multiple athletes. Its stainless-steel plunge tank offers seated, over-the-waist, and extremity immersion. Water temperature is precisely maintained with an internal refrigeration system. No need to add ice. Standard protocol recommends draining and cleaning only once a week. This self-contained unit fits through a 42" x 86" door and can be installed in new or existing hydrotherapy areas with minimum site preparation.

**Stainless Steel Tank**

The tank is 60" long, 108" wide, and 34" deep with a capacity of 752 gallons. It is formed and welded from 12-gauge Type 304 stainless steel into a seamless unit with coved corners for easy cleaning. This high-quality stainless-steel tank assures maximum sanitation and provides a lifetime of durable service.

Corian Surface

The entire exterior is fabricated with Cameo White Corian solid surface material. This comfortable and easy to clean surface is extremely durable. A wide variety of colors are available to select from for the step surfaces and optional team logo inlay.

Hydrotherapy System

A dual-speed pump provides high volume circulation. Press the timer button and hydrotherapy action is delivered through eight Comfort-Flo nozzles for 20 minutes. Air control activates turbo-boost for smooth, high-volume air/water flow.

Cartridge Filter

Water cleanliness and clarity is maintained with 100% circulation through a replaceable cartridge filter.

Water Level Control

The tank has automatic water level controls to maintain a constant water level. These eliminate manual filling, replace water volume displaced by immersion, and help to refresh the tank.

Cooling System

A self-contained energy efficient refrigeration system chills the water. System is charged with environmental friendly, zero ozone depletion potential, R-407A refrigerant.

Temperature Control

Electronic controls accurately maintain and digitally display water temperatures to within 0.1°F. The tank is adjustable from 40°F to 70°F.

Foamed-In-Place Insulation

At least six inches of foamed-in-place polyurethane insulation surrounds and supports the tank. This exceptional insulation significantly reduces heat loss. CRYOTherm will pay for itself with energy and water savings when compared to conventional whirlpools.

Optional Corian Logo Inlays

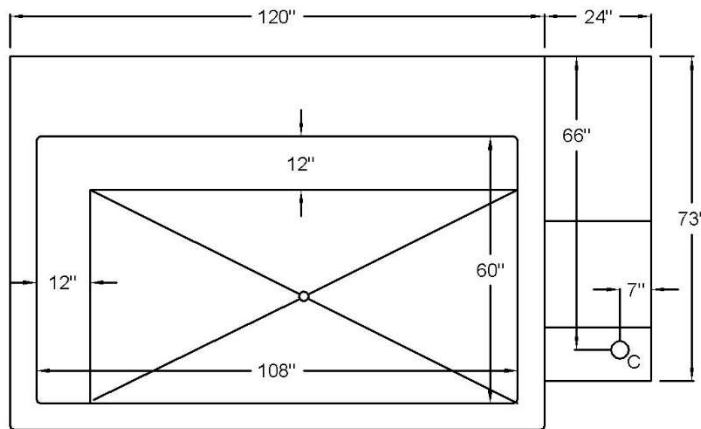
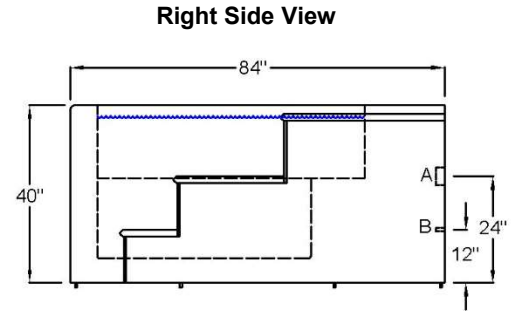
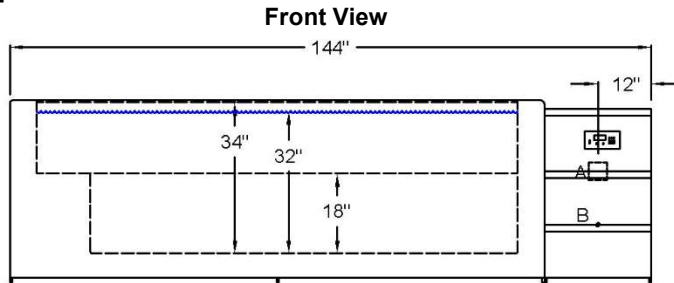
Logo inlay pricing is based on the number of Corian colors required. Your logo is carved into the Corian exterior with a CNC router. Individual logo pieces are also carved from the desired Corian color(s) and inlaid to create your custom graphic.

Installation

Delivery, installation supervision, and field-testing are included with all CRYOTherm Cold-Tank Hydrotherapy Consoles.



Specifications



Top View

FDA Listed Medical Device

**ETL Certified to Meet UL 1795
Standard for Safety –
Hydrotherapy Bathtubs**

Temperature.....40°F to 70°F
 Tank Capacity.....752 gal.
 Weight (Filled).....9,264 lb.
 Weight (Empty).....2,990 lb.

One-Year Warranty

The CRYOTherm warranty applies to purchaser and any subsequent owner. Grimm Scientific Industries, Inc. (warrantor) warrants this product to be free from defects in material and workmanship under normal use for one year from the date the product is installed. The warrantor may opt to replace the product, rather than repair it. This warranty does not cover damage resulting from accidents, improper use, or maintenance of this product, and in no case shall warrantor's liability exceed the original purchase price paid for the product. This warranty is expressly in lieu of all other express warranties.

Contact Us:

Grimm Scientific Industries, Inc
 P.O. Box 2143
 Marietta, OH 45750

Phone....800-223-5395
 Fax.....740-374-5745
 E-mail....info@grimmscientific.com

A = Electrical Connection

208V, 60Hz, Single Phase 4-Wire
Rating at Full Load = 24 Amp Max
* Circuit Breaker = 2-Pole, 30 Amp, GFCI
* Wall Outlet = NEMA 14-30R

(* Supplied by Customer)

B = Cold Water Supply Connection

Pipe Size = ¾ FPT Brass
Backflow Preventer = Included with CRYOTherm
Water Temperature = 45°F Min. 80°F Max.
Water Pressure = 20 PSI Min. 60 PSI Max.

C= Drain Outlet

Pipe Size = 1-1/2" Copper
Flow = 40 GPM
Floor Sink with 4-Inch drain is recommended

